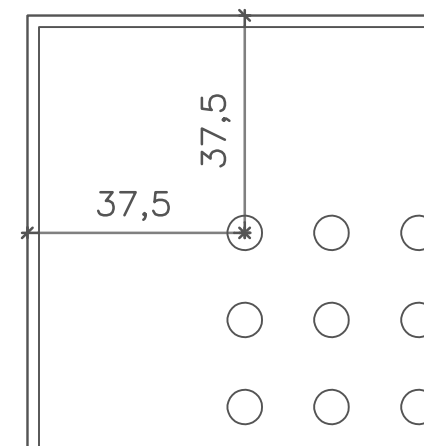
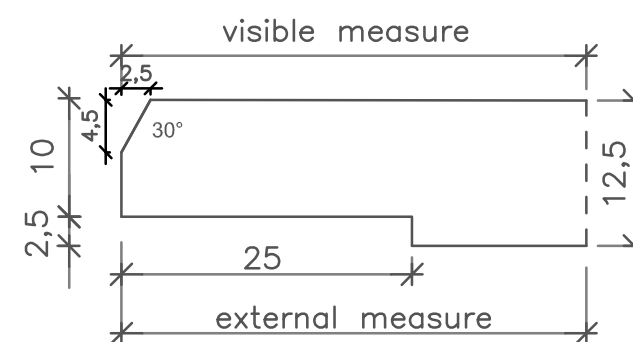


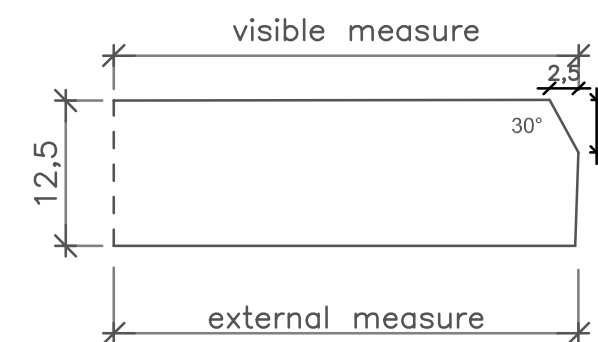
Detail A



Detail B

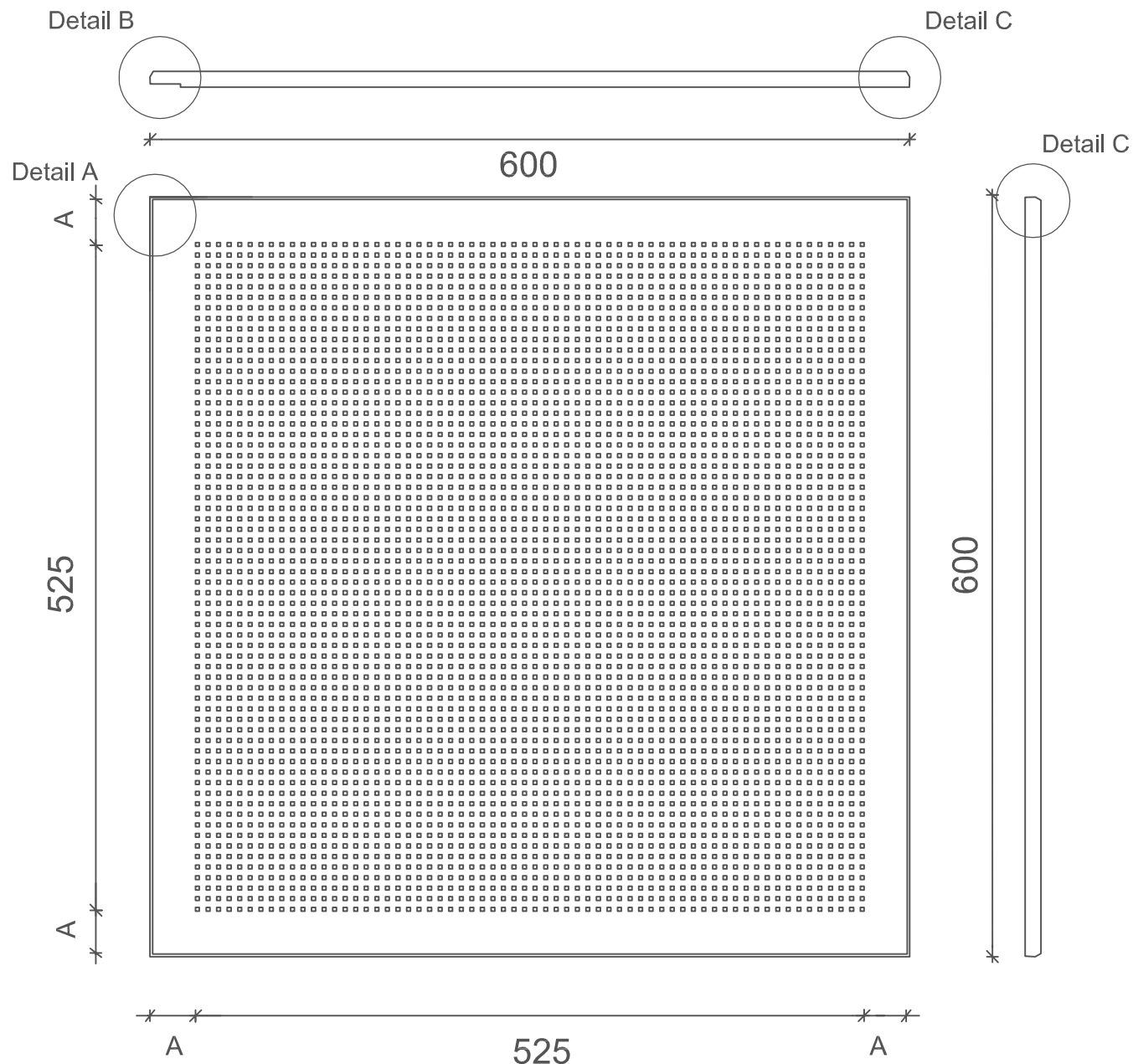


Detail C

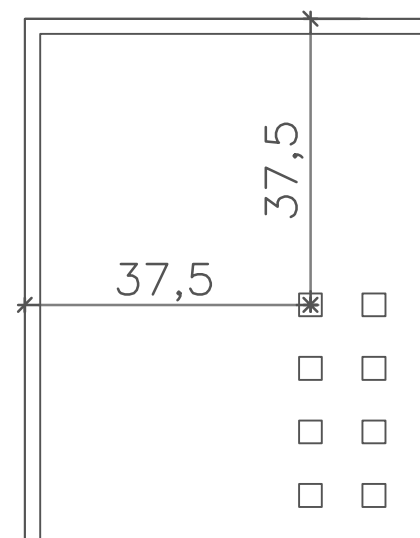


Perforation pattern:	Globe G1 (Ø6mm hole cc 15mm)
Perforation procentage:	10,2 %
Edge type:	Contur D
Grid:	S24
Module:	600 x 600 x 12,5mm
Visible measure (primary):	600 x 600mm
External measure (secondary):	600 x 600mm
A measure:	37,5mm
Perforation picture:	525 x 525mm (36 x 36 holes)

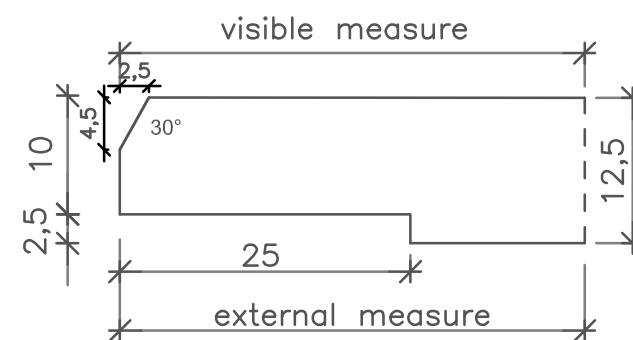
Project: Contur D, S24, Module 600x600, G1	MDM no.: 24799
Subject:	
	Scale:
	Date: 2018-06-04
	Rev.:
	Sign.: NPJ
	Project no.:
Knauf Danoline A/S Kløvermarksvej 6, DK-9500 Hobro T: +45 9657 3000 F: +45 9657 3001 www.knaufdanoline.com - info@knaufdanoline.com	File:



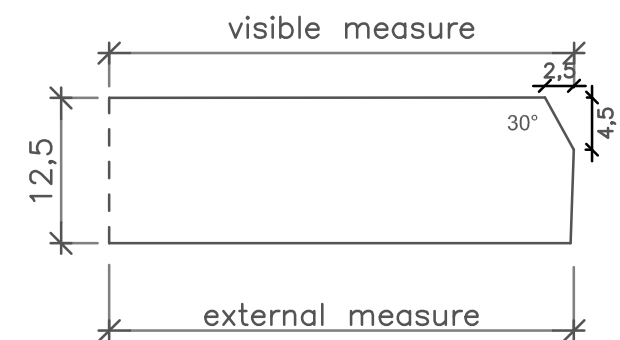
Detail A



Detail B



Detail C



Perforation pattern:	Micro M1 (3x3mm holes cc 8,3mm)
Perforation procentage:	10,2 %
Edge type:	Contur D
Grid:	S24
Module:	600 x 600 x 12,5mm
Visible measure (primary):	600 x 600mm
External measure (secondary):	600 x 600mm
A measure:	37,5mm
Perforation picture:	525 x 525mm (64 x 64 holes)

Project: Contur D, S24, Module 600x600, M1

Subject:

MDM no.:

54460



Knauf Danoline A/S Kløvermarksvej 6, DK-9500 Hobro
 T: +45 9657 3000 F: +45 9657 3001
 www.knaufdanoline.com - Info@knaufdanoline.com

Scale:

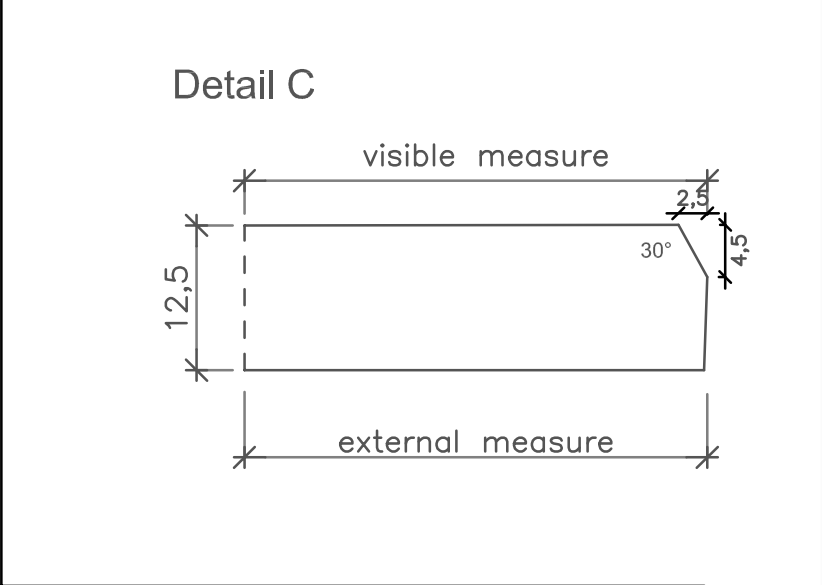
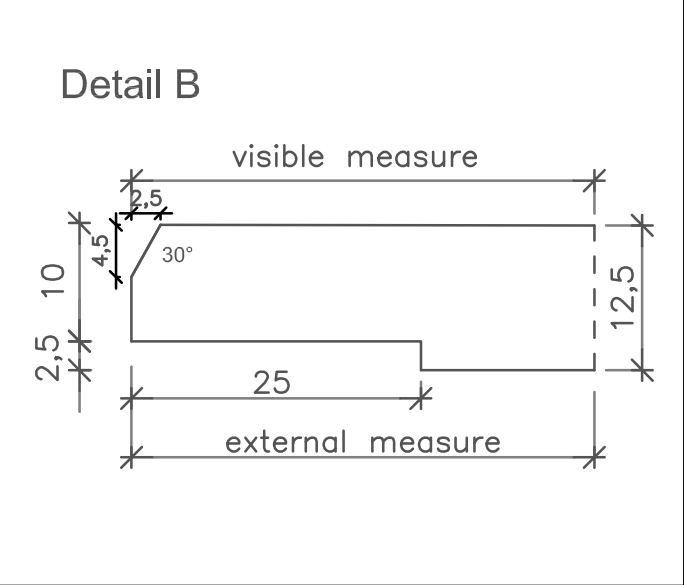
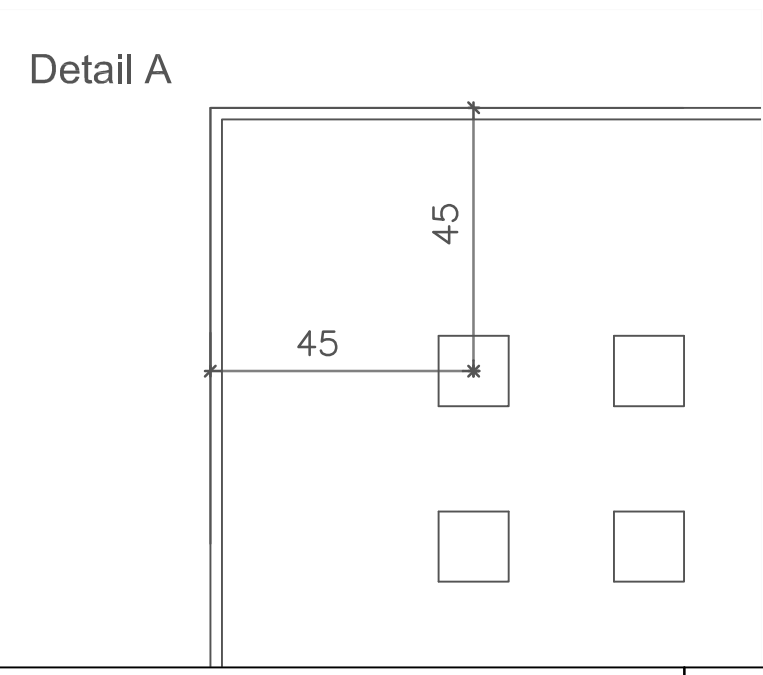
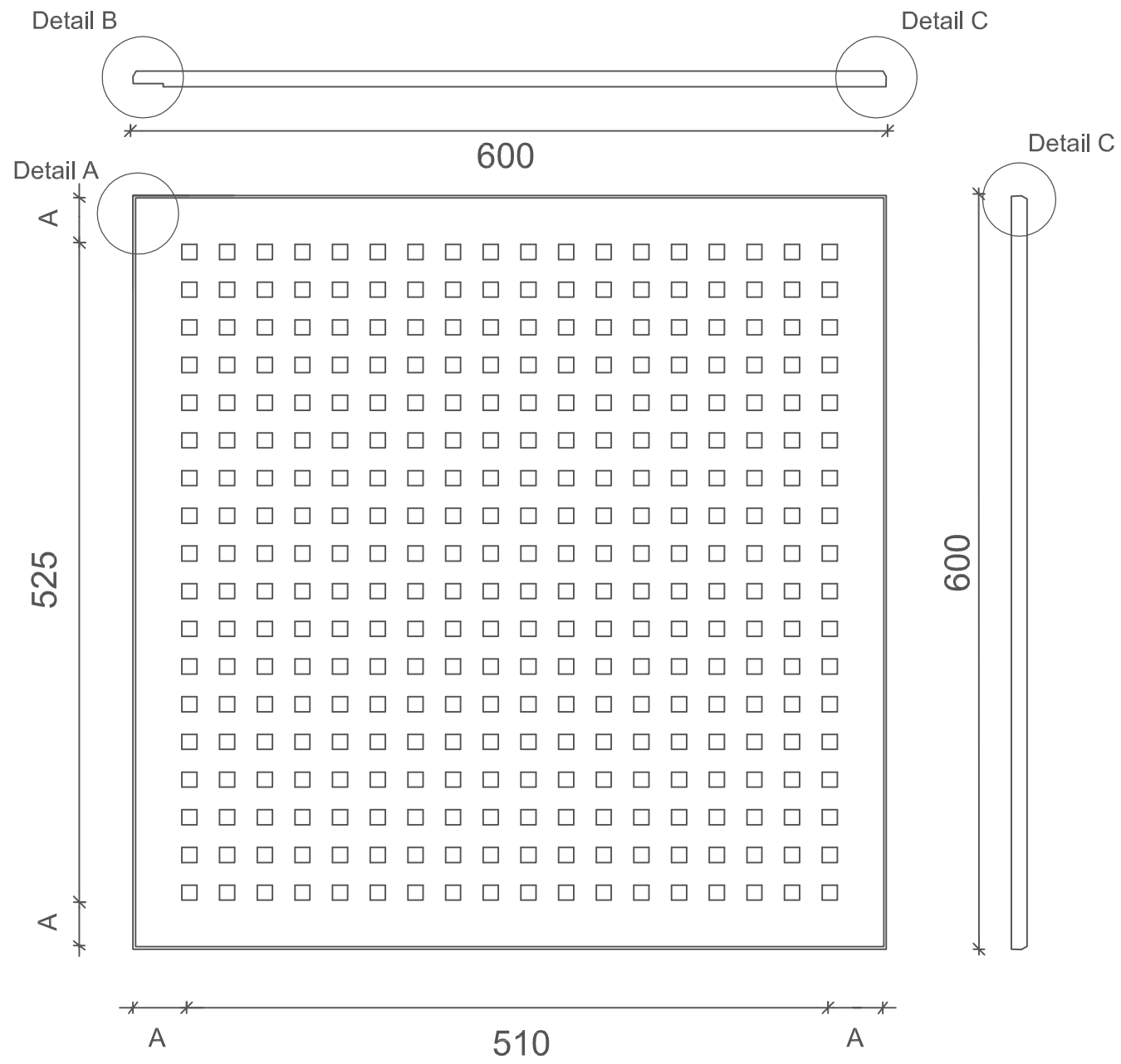
Date: 2018-06-04

Rev.:


Sign.: NPJ

Project no.:

File:



Perforation pattern: Quadril Q1 (12x12mm holes cc 30mm)
 Perforation procentage: 13 %
 Edge type: Contur D
 Grid: S24
 Module: 600 x 600 x 12,5mm
 Visible measure (primary): 600 x 600mm
 External measure (secondary): 600 x 600mm
 A measure: 45mm
 Perforation picture: 510 x 510mm (18 x 18 holes)

Project: Contur D, S24, Module 600x600, Q1	MDM no.: 24804
Subject:	Scale:
	Date: 2018-06-04
	Rev.:
	Sign.: NPJ
	Project no.:
Knauf Danoline A/S Kløvermarksvej 6, DK-9500 Hobro T: +45 9657 3000 F: +45 9657 3001 www.knaufdanoline.com - info@knaufdanoline.com	File: